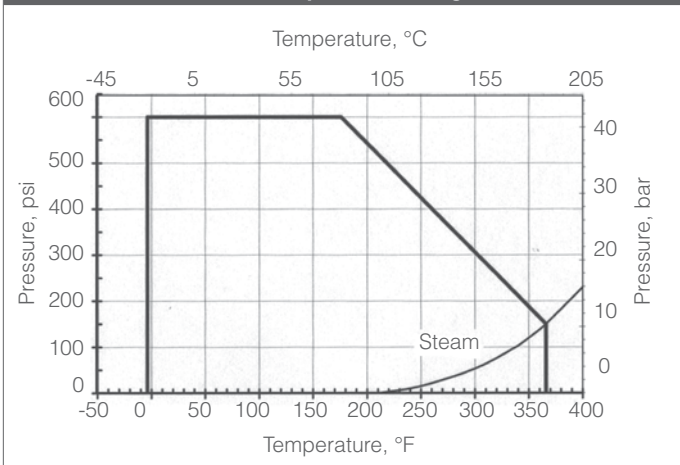



Features

- High integrity hot forged brass body
- Blow-out proof stem
- Carbon reinforced PTFE seats
- 100% tested
- Locking lever operator

SeriesDM600 Pressure-Temperature Ratings

Technical Specifications

Valve Size Inches	Operating Torque, in-lb	Flow Coefficient, Cv
1/2"	27	38
3/4"	36	64
1"	67	92
1-1/4"	111	115
1-1/2"	255	295
2"	310	405

DM633FTSS Series Full Port Valve

Quick Spec	
Product Scope	
Size Range	1/2" – 2", Full Port
Body Type	2-pc, End Entry with FNPT Ends
Pressure Rating	600 psi WOG (41 bar)
Temperature Range / WSP	-4°F thru 350°F / 150 psi Steam -20°C thru 177°C / 10,3 bar Steam
Body	Brass, Hot Forged
Trim	Stainless Steel
Seats	CRPTFE, FPM O-ring backed
Stem Seals	FPM O-ring
Operator/Mounting Pad	Lever Not Available/ISO 5211
Lubricant	Silicone Free
Design Standards	
Threaded End Design	ASME B1.20.1
Testing Standards	
Pressure Testing	MSS-SP-110

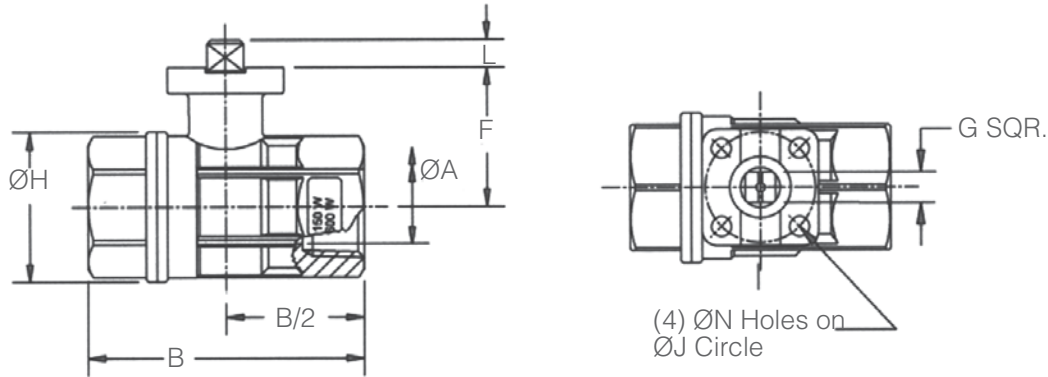
Materials of Construction 600 Full Port Series

Part	Material
Body	*Brass CuZn40Pb2
End Cap	*Brass CuZn40Pb2
Ball	AISI 316 SS
Stem	AISI 316 SS
Seat	CRPTFE (PTFE Graphite Filled 15%)
O-Ring, Seat	FPM
Thrust Washer, Stem	CRPTFE
O-Ring, Stem	FPM

* UNI EN 12165 CW617N (59Cu-40Zn-2Pb) equivalent to Hot Forging Brass UNS C37700 (60Cu-39Zn-2Pb)

Technical Specifications, metric

Valve Size NPS	Operating Torque, N.m	Flow Coefficient, Kv
DN15	3,1	32,7
DN20	4,1	55
DN25	7,6	79
DN32	12,5	99
DN40	28,8	254
DN50	35,0	348



ART1009

Dimensions, Inches									
Valve Size	DM633FTRS Series								
Inches	ØA Port	B Length	F C/L-Pad	ISO	ØJ	ØN Hole	G Stem Sq	L Stem Ext.	Wt (lbs)
1/2"	0.59	2.60	1.22	F03	1.42	0.22	0.354	0.295	0.67
3/4"	0.79	2.93	1.52	F03	1.42	0.22	0.354	0.334	1.02
1"	0.98	3.56	1.67	F03	1.42	0.22	0.354	0.334	1.78
1-1/4"	1.26	4.09	2.19	F05	1.97	0.26	0.551	0.570	2.91
1-1/2"	1.58	4.61	2.44	F05	1.97	0.26	0.551	0.570	4.24
2"	1.97	5.31	2.72	F05	1.97	0.26	0.551	0.570	6.90

Dimensions, mm									
Valve Size	DM633FTRS Series								
NPS	ØA Port	B Length	F C/L-Pad	ISO	ØJ	ØN Hole	G Stem Sq	L Stem Ext.	Wt (kgs)
DN15	15,0	66,0	31,0	F03	36,0	5,6	8,99	7,5	0,30
DN20	20,0	74,5	38,5	F03	36,0	5,6	8,99	8,5	0,46
DN25	25,0	90,5	42,5	F03	36,0	5,6	8,99	8,5	0,81
DN32	32,0	104,0	55,5	F05	50,0	6,6	14,00	14,5	1,32
DN40	40,0	117,0	62,0	F05	50,0	6,6	14,00	14,5	1,92
DN50	50,0	135,0	69,0	F05	50,0	6,6	14,00	14,5	3,13

How to Order					
Valve Series	Port Design	Size	Body Material	Packing/Seat	End Connections
DM630	F = Full Port	050	BR = Brass	C = PTFE/CRPTFE	A = FNPT (Standard)
		075			
		100			
		125			
		150			
		200			

Sample Ordering Schematic

DM630	F	050	BR	C	A
-------	---	-----	----	---	---

Marwin Valve

 A Division of Richards Industries, 3170 Wasson Road, Cincinnati, OH 45209
 toll free. 800.543.7311, local. 513.533.5600, fax. 513.871.0105
www.marwinvalve.com